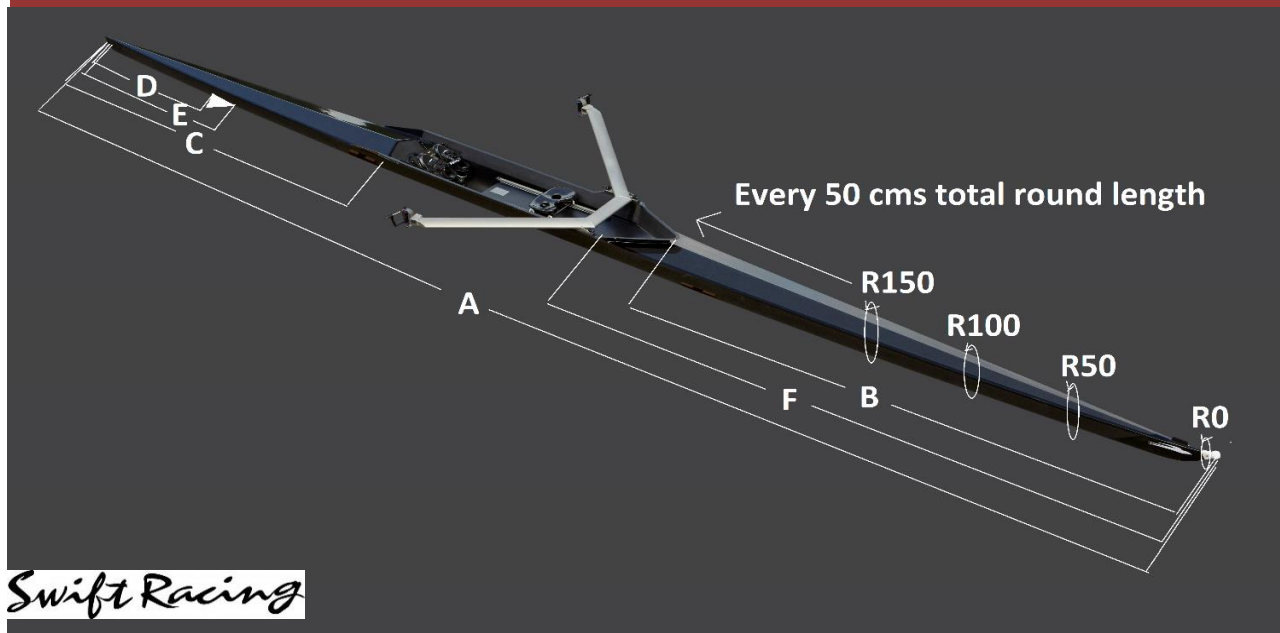


Bestellformular für Bootsabdeckung

Custom Boat Cover Order Form



Swift Racing

Riggertype:

| | length: (cm) |
|---|--------------|
| Total length of the boat | |
| Gesamtlänge des Bootes | A |
| From bow until the waterboard | B |
| Bogen bis Waterboard | C |
| From the stern until the footstretcher area | D |
| Heck bis Stemmbrettbereich | E |
| From the stern until the start of the fin | F |
| Heck bis Flossenstart | G |
| From the stern until the end of the fin | |
| Heck bis zum Ende der Flosse | |
| From the bow until the seat deck | |
| beugen Sie sich bis zum Sitzdeck | |
| The depth of the fin | |
| Tiefe der Flosse | |
| Club/Customer Name: | |
| Adress: | |
| Contact Information: | |

Width (total round) length: (cm)

| boeg | R0 | |
|-------|---------|--|
| 50cm | R50 | |
| 100cm | R100 | |
| 150cm | R150 | |
| 200cm | R200 | |
| 250cm | R250 | |
| 300cm | R300 | |
| 350cm | R350 | |
| 400cm | R400 | |
| 450cm | R450 | |
| 500cm | R500 | |
| 550cm | R550 | |
| 600cm | R600 | |
| 650cm | R650 | |
| 700cm | R700 | |
| 750cm | R750 | |
| 800cm | R800 | |
| Xcm | R_stern | |

Bootshandel- Sportservice UG - Pöcking 5, 94428 Eichendorf

inforuderbootshandel@gmail.com

www.ruder-boots.handel.com

Handy: 01523 - 43 24 635

Festnetz: 08457 - 915 36 96

measurement should be the stern round of the boat